



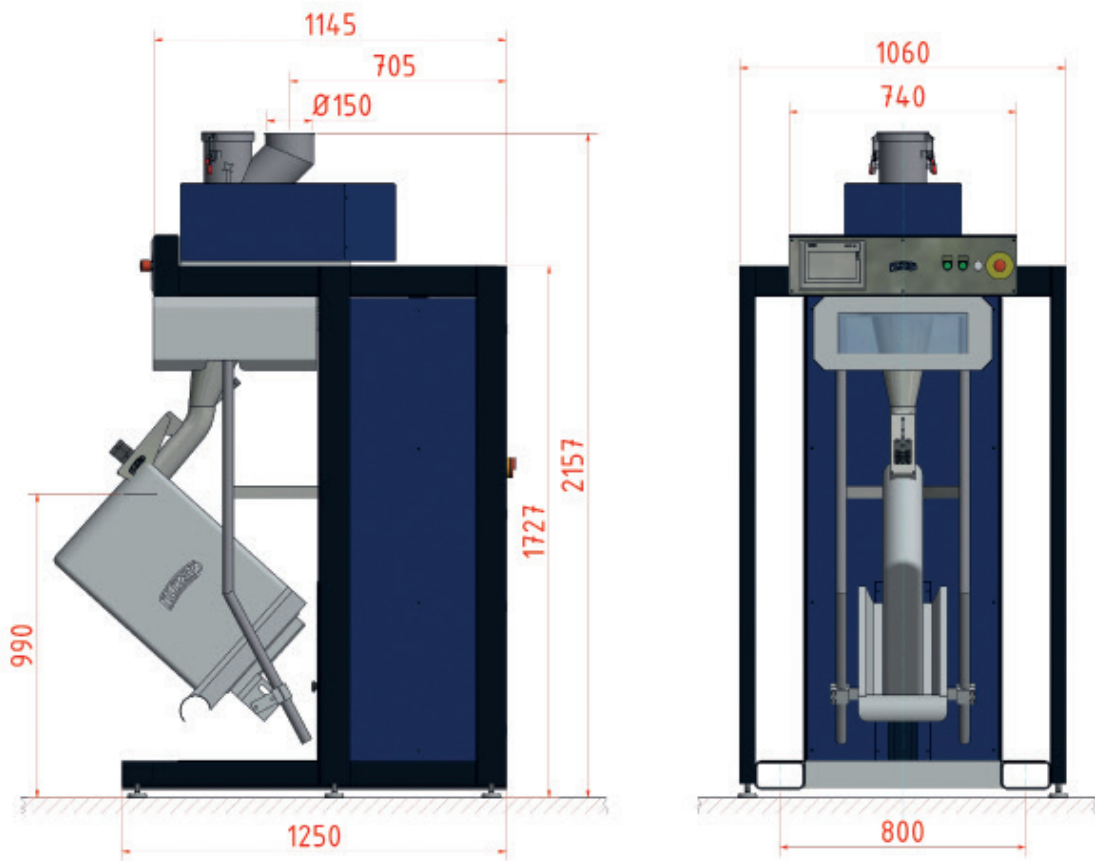
WBE 25/50

Gross Weighing Scale for Valve Bags



NEW
GENERATION

WBE 25/50



Data technical

Bagging capacity	max. 130 bags/h
Filling weights	max. 25 kg, max. 50 kg
Designed for products	plastic granules, rubber granules, pellets, sugar, salt, fertilizer, peas, rice, beans, raw coffee, semolina, grains, malt, gelatin
Design	stationary or movable
Voltage	230V or 400V; 50 Hz
Electrical requirements	0,3 kW
Compressed air	3 – 5 bar
Weight	approx. 280 kg



HUZAP GmbH
Marie-Curie Straße 1
53773 HENNEF

Telefon: +49 2242 96999-0
Telefax: +49 2242 96999-29
E-Mail: huzap@huzap.com

www.huzap.com